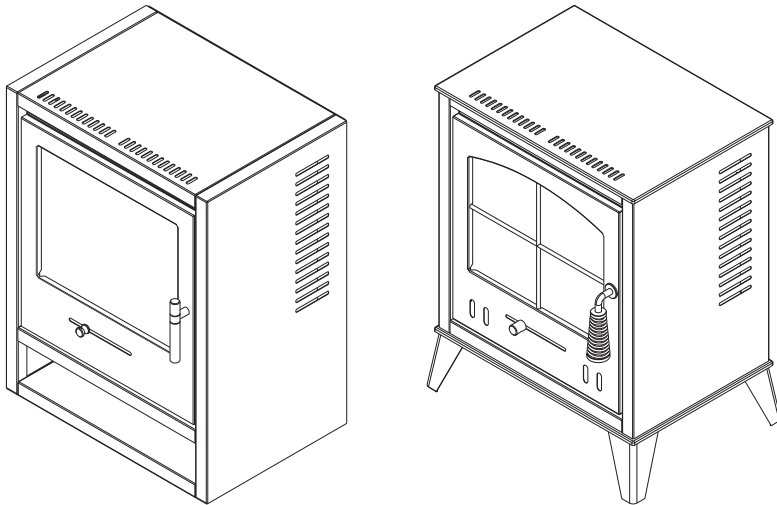


BIO ETHANOL STOVE

This guide is to be used in conjunction with the manual supplied with the stove

*Images for illustrative purposes only



This manual is for the following models:

OKO S1	OKO S2	OKO S3	BEF0014 (S1)	BEF0014 (S2)	BEF0018 (S3)
BEF0019	BEF0020	BEF0021	OKO S1-R	OKO S2-W	OKO S2-D
OKO S4	OKO S5	OKO S6			

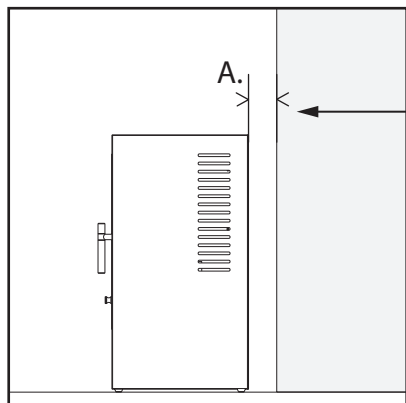
Do **NOT** place **ANYTHING** inside the burner chamber, i.e Ceramic Logs/Pebbles etc.

This will affect the air flow inside the chamber and create an unsafe and less controlled flame.

Please read through the use & care manual provided with this product first.

www.firedupcorporation.com/manual

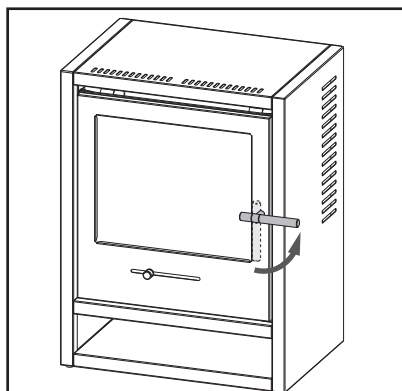
DISTANCES FROM WALL



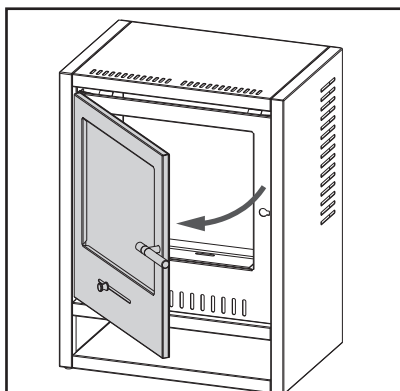
Distance from A.

- Marble/Stone: > 5mm
- Wood (including MDF & MFC): > 10mm
- Wallpaper: > 100mm

OPENING THE DOOR



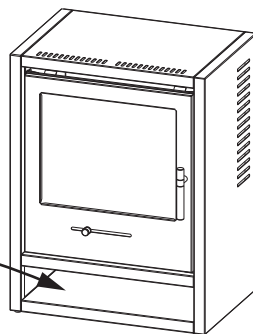
1. To open the door, turn the handle anti-clockwise to a horizontal position.



2. Once in position, pull the door to open.

ATTENTION

Do not store fuel on the shelf underneath the fire.



IMPORTANT
FITTING THE STOVE PIPE (if applicable)

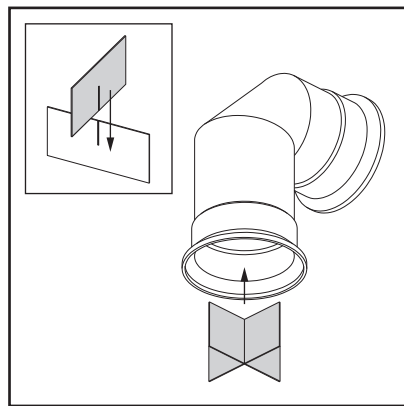
ONLY COMPATIBLE WITH ADAM STRAIGHT OR ANGLED STOVE PIPES

Parts Supplied

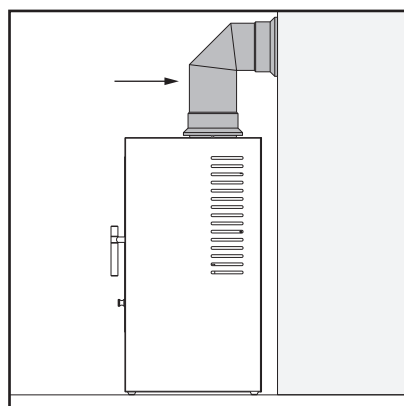
2 x Metal Plates

*Images for illustrative purposes only

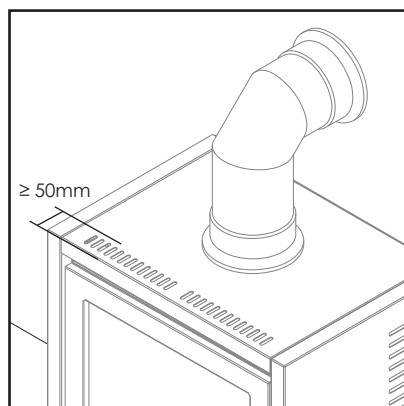
1. Assemble the stove pipe insert into an 'X' and push into the bottom of the stove pipe.



2. Place the stove pipe on top of the stove and push the stove pipe against the wall/back panel.



ATTENTION: DO NOT place anything within 50mm of the front of the stove to ensure the vents on top of the stove are left clear.



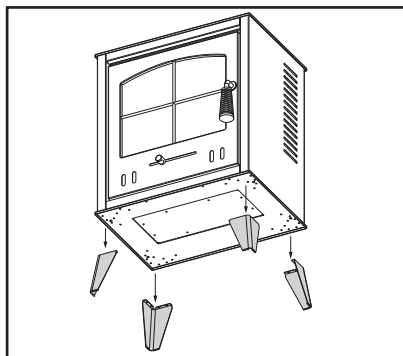
FITTING THE LOG STORE (supplied separately)

*Images for illustrative purposes only

1. For products with feet only.
For products without feet, move straight to Step 2.

NOTE: REMOVE THE BURNER BEFORE LAYING THE STOVE ON ITS BACK

Lay the stove on its back and remove the 4 x feet from the stove using a screwdriver.



2. Position the log store in the desired place.
Then, carefully lift the stove and place it onto the log store.

